

SimPal-G4
3G/WIFI Security Camera

User Manual

Manual version 1.6



APP Management and Settings
SimPal-G4



SimPal-G4 3G/WIFI security Camera

Thank you for purchasing the SimPal camera. This camera is a remote controlled image-capturing device consisting of a microphone, LED lights and a high quality 5 megal-pixel camera lens. The SimPal camera can capture images according to a pre-programmed remote command and then send it to your multimedia messaging (MMS) or e-mail via cellular network. You can control and change the camera settings via SMS command.

MMS images sent from the SimPal camera can be viewed on your mobile phone. You also can check the e-mail images in your mobile phone e-mail App.

The built-in high-light LED allows the camera to capture clear images even in dark environment.

SimPal camera worked with encrypted 433MHz wireless sensors such as PIR-, door magnet sensors. As soon as the wireless sensor triggers the camera alarm, you or your families and/or your guards can thus receive the alarm message via SMS, MMS, Email or standard calls, according to the pre-programmed. If you choose to purchase the optional accessory -- an wireless siren, the SimPal camera can trigger the wireless siren to emit loud voice when it alarms.

However, the camera can perform its duty well without any wireless sensor too. The Camera has an integrated infrared body detector. It will therefore detect any unauthorized entry into your house and notify you via SMS, MMS, standard calls or E-mail.

All services and functions need to be supported by the GSM / WCDMA network and a SIM card. WIFI function only working after install SIM card and set up WIFI account by SMS command.

This brochure suits for SimPal-G4 model.

Details of the functioning and advanced operation of this camera are described in this instruction manual.

CONTENTS

For your safety	5
Exception clause	5
Chapter 1 Structure instruction	6
1.1 Package contents.....	6
1.2 Products instructions.....	6
1.4 Light indicator and Beeper	7
Chapter 2 Installation.....	9
2.1 The antenna, temp sensor, SIM card and power adapter.....	9
2.2 The power adapter and battery.....	10
2.3 Install mounting bracket	11
2.4 Mounting the camera	11
2.5 Power on/ off	12
Chapter 3 Define the user and basic settings.....	12
3.1 User authorization level.....	12
3.2 Setup master number	13
3.2.1 Register camera	13
3.2.2 Change Master number.....	14
3.2.3 Adjust camera date time.....	14
3.2.4 Change password	14
3.3 Define User number.....	14
3.3.1 Add User number	14
3.3.2 Delete User number.....	15
3.4 Network parameter settings	15
3.4.1 MMS parameters setting.....	15
3.4.2 Cellular data parameters setting.....	16
3.4.3 Set-up WIFI network	16
3.4.4 Set-up e-mail.....	17
3.4.5 Configure outbound e-mail	17
3.4.6 Configure receiving email address	18
Chapter 4 Operations and settings.....	18
4.1 Call the camera to listen in	18
4.2 Capture images	19
4.2.1 Capture images to mobile phone.....	19
4.2.2 Capture images to user's E-mail address	19
4.2.3 Schedule send images	19
4.3 Arming or disarming SimPal camera.....	20
4.3.1 Arming SimPal camera.....	20
4.3.2 Camera alarm	21
4.3.3 Disarming SimPal camera	21
4.3.4 Schedule arming the camera	21
4.5 Remote control.....	21
4.5.1 Pair remote control.....	21

4.5.2 Remote control instruction	22
4.5.3 Un-pair remote control.....	22
4.6 PIR motion detection	22
4.7 Wireless sensor accessories.....	22
4.7.1 Pair wireless sensor	23
4.7.2 Check sensor status	23
4.7.3 Removing sensor	23
4.7.4 Temperature sensor.....	24
4.8 Image resolution	24
4.9 Image quantity	24
4.10 Beeper alert.....	24
4.11 SMS alert	25
4.12 Images alert.....	25
4.13 Voice call alert.....	25
4.14 SMS alert to User.....	25
4.15 Images alert to Users.....	25
4.16 LED status indicator	26
4.17 Night vision LED lights.....	26
4.18 Mains power failure alert.....	26
4.19 Unknown SMS forward.....	26
4.20 Check status	27
4.21 Reboot the camera	27
4.22 Reset to factory settings.....	27
Chapter 5 General troubleshooting	28
Chapter 6 Main technical parameters	29
Appendix: SMS commands list.....	29

WARNING

- 1. Purchase a 3G SIM card (mobile phone card) from network service operator and install it in the camera. This SIM card number is referred as SimPal camera number on this brochure.**
- 2. The user needs to activate the MMS, Cellular data functions and Caller ID Presentation function of SIM card, and deactivate PIN code of the SIM. Contact with GSM network service for support.**
- 3. Change the original password at the beginning use. Be sure to keep the password and SIM card number secret. Do not disclose this information to anyone other than the authorized users in order to ensure your safety.**

For your safety

- This product is a wireless signal transmission device. Keep it away from electronic equipment likely to interfere with the wireless signals, in order to avoid signals interference.
- Switch off your SimPal camera and mobile phone when entering areas marked "Explosive", "Might explode", "Closed wireless transceiver devices" etc.
- Do not cast this product in a fire, as this may cause the battery to explode.
- This product should only be operated from power approved by the product manufacturer. The use of any other types of power may damage the product.
- Keep the product and its accessories out of the children reach.

Exception clause

- We operate on a policy of continuous development. We reserve the right to make changes and improvements to any of the products described in this document without prior notice.
- For the latest product information, please visit: <http://www.simpal.cn>. We don't guarantee for the document veracity, reliability or any content except regulate in proper laws. Including no guarantee for product suitable market or suitable area promise.
- Use only this product according to the law. Respect one another's privacy. Neither monitor another's home nor private. We hold no responsibility for the illegal use of this product.
- We hold no responsibility for any loss of data or income; or any special, incidental, consequential or indirect damages howsoever caused.

- The contents of this document are provided “as is”. Except as required by applicable law, no warranties of any kind, either expressed or implied, including, but not limited to the accuracy, reliability or contents of this document. We reserve the right to revise this document or withdraw it at any time without prior notice.

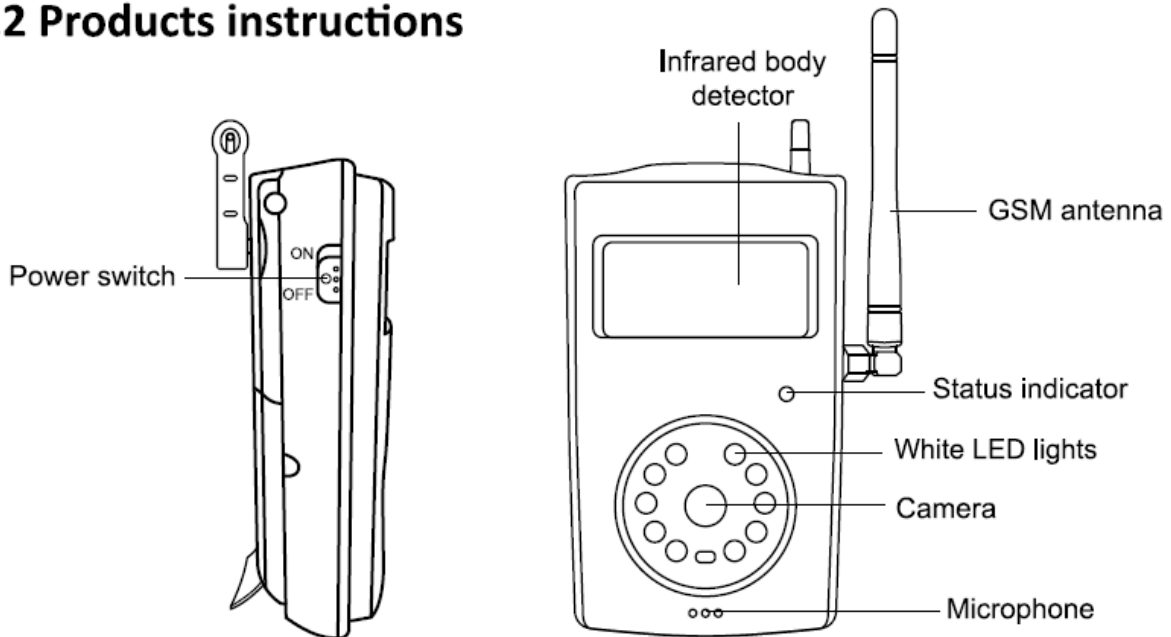
Chapter 1 Structure instruction

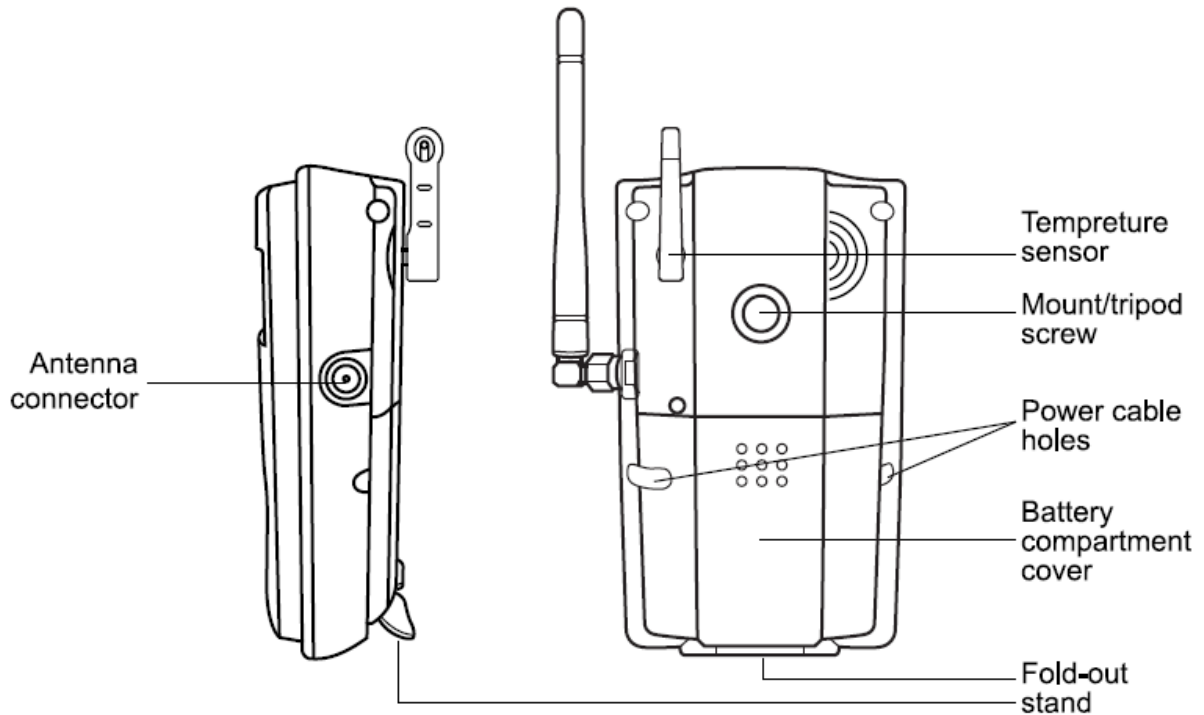
1.1 Package contents

- | | |
|---------------------------------------|----------|
| 1. Remote camera | 1 unit |
| 2. Power adapter(12V/1A) | 1 pcs |
| 3. GSM antenna | 1 pcs |
| 4. Temperature sensor | 1 pcs |
| 5. User manual | 1 pcs |
| 6. Mounting bracket | 1 set |
| 7. Remote control and wireless sensor | Optional |

1.2 Products instructions

1.2 Products instructions





13

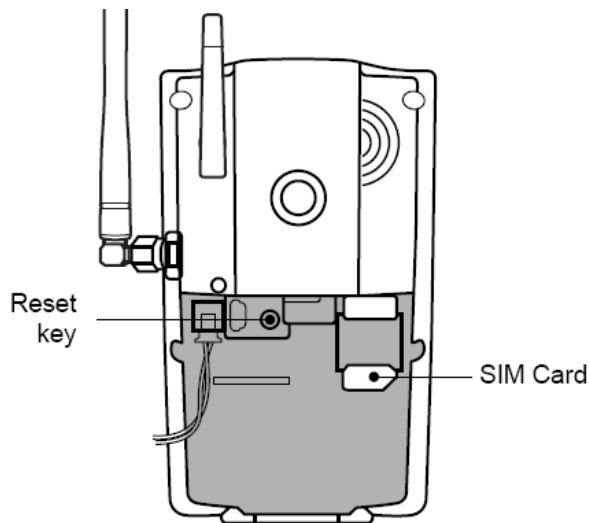


Figure 1: SimPal camera instructions

Tip: Keep the camera lens clean to insure best imaging quality.

1.4 Light indicator and Beeper

Color	Action	Status
Red	Flash slowly	Searching the network.
	Flash quickly	Sensor alarm, infrared body detector alarm.
	Constant Light	Not installed SIM card, or the remote camera damaged.

Green	Constant Light	Armed status.
	Flash twice per 2 seconds	Alarm-suspension status
	Flash slowly	Disarm status.
	Flash quickly	Processing SMS or sending images
	Light 2 seconds	Successfully reset factory setting
Red and Green	Two color lights alternately	Loading sensor or Pairing remote control

Note: Slow flash 1 time per second, quick flash 2 times per second.

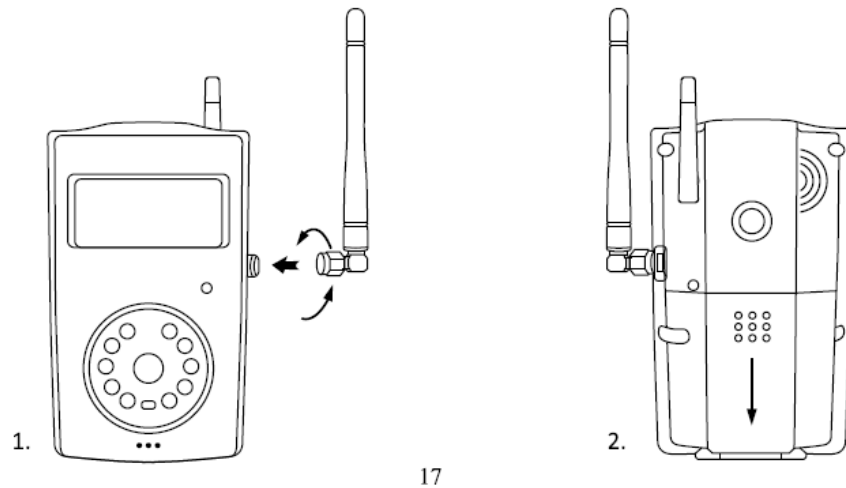
Beeper	Status
Long beep (2 seconds)	Register GSM network
Short beep	Enter sensor loading mode Enter remote control pairing mode Sensor pair success Remote control pair success Arm by remote control
Short beep twice	Disarm by remote control
Short beep three times	Sensor already paired Remote control already paired Sensor reach max quantity 16pcs Remote control reach max quantity 2pcs
Short beep last 1 minutes	Camera alarm and turn on beep functions

Chapter 2 Installation

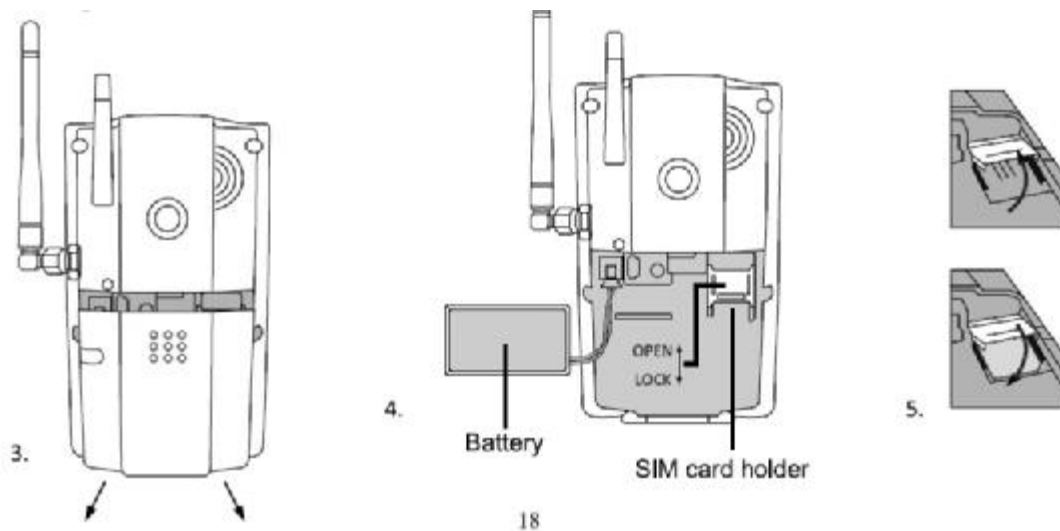
2.1 The antenna, temp sensor, SIM card and power adapter

Installing the antenna

- Mount the supplied antenna into the Antenna Connector on the camera.



Installing the SIM card

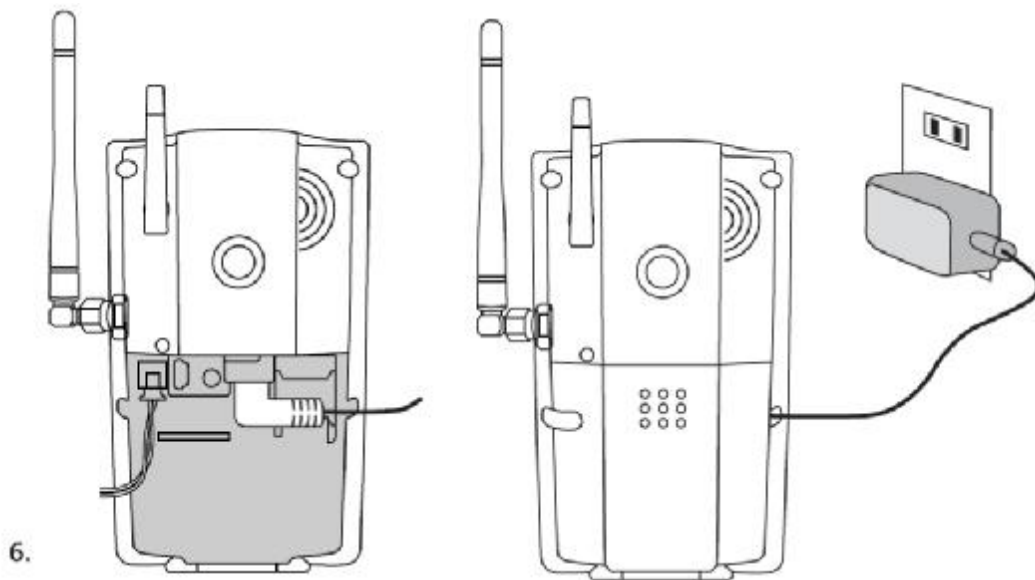


- Remove the Battery Compartment Cover from the rare of SimPal camera and a SIM card holder will be found.

- Open the SIM card holder.
- Insert the SIM card carefully into the card holder. Make sure that the golden connectors on the card are facing downwards.
- Close the SIM card holder.
- Get back the Battery Compartment Cover of SimPal camera.

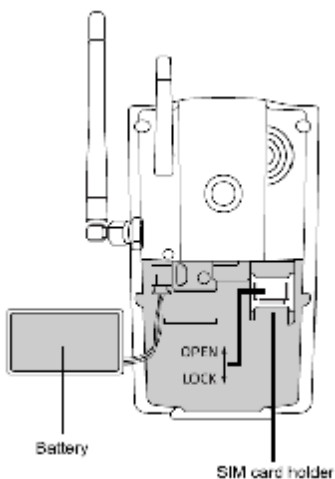
2.2 The power adapter and battery

Connecting to the power adapter



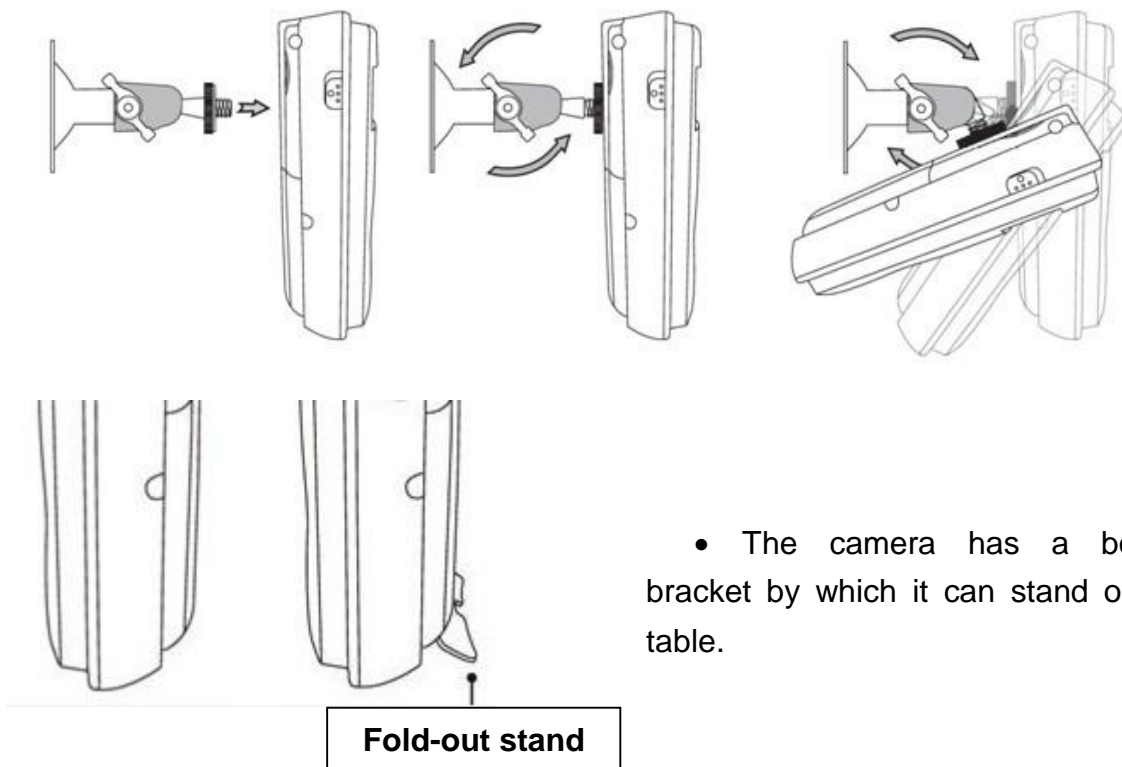
- Connect the plug to the power interface of the SimPal camera and then connect the adapter to an AC power.

The built-in rechargeable Lithium battery



- The camera will notify the user when the power changes. For example, if the power adapter is disconnected or failure of the AC power occurs, SimPal camera will notify the user “External power cut. The device is operating on battery.”
- If SimPal camera is again connected to the external power, or the AC power is available again, the notification will be sent to the user, i.e.” The device is now resuming the use of external power source.”
- **Low battery:** The configure setting can not be saved when SimPal camera is operating on low battery.

2.3 Install mounting bracket



2.4 Mounting the camera

SimPal camera can be mounted on a wall (vertically with the screws) or put down on any suitable horizontal surface.

How to choose the Installing place:

- In order to capture better image quality, avoid any areas where bright light will be irradiated directly into the lens of the camera on the camera.
- In order to avoid backlighting photography, it is suggested that the camera is located at the place where can look down the monitoring place with the minimum angel 30°.

- The GSM network’s signal strength may affect the image, live voice quality and images transmission speed. Therefore, upon installation, the user should ensure that SimPal camera is located in an area with a strong network signal.
- After installation, the user should perform a test-run by taking several images and sending it to the user’s mobile phone. This allows the user to check the image quality of the camera. The position of SimPal camera can then be adjusted until a satisfactory image quality level is reached.

2.5 Power on/ off

Power on:

Operation	Indicator light	Status
Turn the power switch to “On” position.	Red light on 1 seconds, then off 20 seconds..	
	Red light flashing slowly for about 5 seconds.	
	A “Beep...” tone will be heard.	
	Green light flash slowly, or green light be on constantly.	SimPal camera is disarmed, or armed.

Power off:

Turn the power switch to downside “Off” position.

Chapter 3 Define the user and basic settings

3.1 User authorization level

There are two levels, each with a different authorization level, namely **Master**, **Families**.

Table 3.1 the difference in authority for Master, Families users:

Functions		User Type	
		Master	Families
Change authority, password		YES	NO
Alarm	Receive SMS	YES	YES
	Receive MMS	YES	YES
	Receive alarm calling	YES	YES
	Get images by E-mail	YES	YES

Functions		User Type	
		Master	Families
	Receive emergency calling	YES	YES
Call the camera to listen in live voice		YES	YES
Get images by sending SMS command		YES	YES
Get images by E-mail		YES	YES
Set remote camera by SMS command		YES	NO
Add, modify or delete sensor		YES	NO

% Note

- Any MMS enabled mobile phone can receive the images captured by SimPal camera by sending SMS command with password.
- Any SMS enabled mobile phone can control SimPal camera with the password command.

All the settings of SimPal camera can be set or adjusted via a SMS command.

About the SMS Command:

- 1) SMS command format: #code#content#.
- 2) The password must be a four-digit number.
- 3) The original password is 1234.
- 4) The maximum digits that are allows for the phone number is sixteen.
- 5) SimPal camera will reply to the user after it receives the SMS command.

% Note

- I The “#” symbol must not be ignored when typing an SMS command.
- I No allow any space within the commands.

3.2 Setup master number

Master user has all the rights of changing camera settings and receives alarm messages from camera. In order to enable all the functions on the camera, the **Master** user must store his/ her mobile number in the camera’s memory. Only one **Master’s** mobile number (**Master** number) is allowed for a camera.

3.2.1 Register camera

SimPal camera is being used for the first time, or SimPal camera has been reset, the

master number need to be programmed into the camera, in order to ensure activation. The following methods can be used:

Master send following SMS (text message) to camera from your mobile phone (the phone number will be the **Master** number) to:

Setup master number: #00# (1)

If the camera reply master number already exists, please refer the Reset Factory Setting parts to delete old master number.

3.2.2 Change Master number

Master user sends following SMS message in order to:

Change Master number: #14#*NewMasterNumber*# (2)

3.2.3 Adjust camera date time

Camera will auto adjust date and time when 3G network or WIFI connected. If user do not use data functions, **Master** sending following command to adjust date time, camera will update the data time from incoming SMS message:

Sync data time: #000# (3)

Note: this SMS will not reply by camera, only adjust time by itself.

3.2.4 Change password

In order to ensure your privacy and safety during the use of this camera, change the password once start to use SimPal camera.

Master user sends following SMS message to:

Change the password: #18#*oldpassword*#*newpassword*# (4)

- I The *password* is a four digit number.
- I The original *password* is 1234.

3.3 Define User number

User number has the authority to listen in on the camera, capture images, and receive notification when the integrated infrared body detector be triggered. User's mobile number and emails are set by the **Master** number. The **User** should remember and safeguard the camera's SIM number.

3.3.1 Add User number

Master user sends following SMS message in order to:

- I MMSC means MMS center, for example: <http://mmsc>.
- I Proxy IP: The IP address for MMS, For example: 139.7.29.17
- I Proxy Port: for example:9201 or 80
- I Proxy Port2: for example: 80 or 8080
- I APN
- I User Name
- I Password
- I Type: name is this setting, normally the type is “mms”

If the User name and Password is empty, only leave blank and separate with #.

Get the current operative network parameter settings: #25# (12)

3.4.2 Cellular data parameters setting

Camera already preset most operator cellular data settings in firmware, but if can not connect the network, user can set up the GPRS parameters manually.

Method 1:

Manual select from another list of firmware, Master send following SMS to

Manual select Cellular data settings: #54# (9)

Method 2:

SMS command configure Cellular data (GPRS) parameter settings:

#24#APN#Username#Password#MCC#MNC# proxy#port#type# (13)

For example: #24#live.vodafone.com####505#03##80#default#

If the User name and Password is empty, only leave blank and separate with #.

Normally the type is “default”.

3.4.3 Set-up WIFI network

The Camera support sending alarm images email via WIFI network, Camera will auto switch from WIFI and Cellular data, It will priority use WIFI sending email, when WIFI lost, will auto use Cellular data to send images email.

Turn ON WIFI network: #38#1# (14)

After turn ON WIFI network, it need to wait 10-20 seconds before setting SSID and password. Camera will searching nearby WIFI network.

Setting WIFI SSID and Password: #38#SSID#Password# (15)

The SSID is name of WIFI network. Both SSID and Password are case sensitivity, only input correct WIFI name and password can success connect the WIFI.

Check WIFI status: #38# (16)

Camera will reply current WIFI status, WIFI – OFF means WIFI function turn OFF
WIFI – Disconnect means WIFI function is ON, but do not connect to any WIFI success.
“Name” WIFI – CONNECTED means already success connected to WIFI “Name” network.

Turn OFF WIFI function: #38#0# (17)

3.4.4 Set-up e-mail

SimPal camera support SMTP protocol sending images e-mail, need to set-up outbound email account and receipt email account. Images e-mail sender will be outbound email; receiver will be receipt e-mail. Suggest to set both outbound and receipt same e-mail address, it will lower chance of e-mail delay.

3.4.5 Configure outbound e-mail

#26#e-mail#password#SMTP#SMTP port#Type#tls# (18)

E-mail: The email address is use to sending e-mail,

Password: This is the password to log in email account, need to fill with letter or number.

SMTP: Simple Mail Transfer Protocol. **Request activate e-mail SMPT service by log-in web and check e-mail settings.**

SMTP port: the port for SMTP.

Type: setting email SMTP or SMTPS protocol. 0 means SMTP, 1 means SMTPS.

Tls: this is encryption of hotmail and outlook, only hotmail or outlook need to activated this function. 0 means deactivated TLS, 1 means activated TLS.

Some e-mail setting as following:

- I **Gmail:** the SMTP port is 465, and need to select SMTPS, deactivated TLS.

#26#simpaltest@gmail.com# PASSWORD#smtp.gmail.com#465#1#0#

I **Outlook, Hotmail:** the SMTP port is 587, and select SMTP, activated TLS.

#26#sim.pal@outlook.com#PASSWORD#smtp.live.com#587#0#1#

I **Company email:** It need to switch the SMTP server to IP address, and select SMTP, deactivated TLS.

#26#sales@simpal.cn#PASSWORD#218.85.138.181#25#0#0#

It will send one confirm email after configure the sending email successfully.

Two public testing e-mail accounts can be set for your camera, setting command as following:

Testing e-mail 1:

#26#gsmcam@qq.com#simpal509#smtp.qq.com#465#1#0#

Testing e-mail 2:

#26#alarmcam@qq.com#509alarmcam#smtp.qq.com#465#1#0#

Check email SMTP parameters: #26# (19)

It will reply current email settings by sending this command.

3.4.6 Configure receiving email address

Master sending following SMS to set email address which use to receive alarm from camera. Only allow to set one email for master number.

Configure receiving email address: #09#email# (20)

Delete email address: #09# (21)

Chapter 4 Operations and settings

4.1 Call the camera to listen in

Master or **Users** calls SimPal camera number, it will answer calling automatically. Then you can listen in the live audio of the monitoring area. Only one line can be connected to SimPal camera at a time.

4.2 Capture images

Authority:

Master/ User send SMS to the camera to get the image and send by MMS or email.

4.2.1 Capture images to mobile phone

Method :

The user sends following SMS message in order to:

Capture image and send to the user mobile by MMS:

For Master and Users: #03# (22)

Capture one image and send to other user number:

For **Master**: #03#Phone-Number# (23)

4.2.2 Capture images to user's E-mail address

Need to configure email settings before using this function. The camera will sending images email via Cellular data. It will charge cellular data cost by network operator.

Capture image and send to user email: #05# (24)

Capture image and send to other email address #05#email# (25)

4.2.3 Schedule send images

Master sends following SMS message in order to:

Set schedule to auto-send images parameters:

#43#Mode#WorkDay#StartTime#EndTime#IntervalTime#. (26)

I **Mode**: the parameter is 0 and 1, 0 means sending images to email, 1 means sending images by MMS.

I **WorkDay**: one digit, the values lie in the range of "0" to "9".

The following table contains the descriptions of each value:

Value	Corresponding day
0	Everyday
1	Monday
2	Tuesday
3	Wednesday

4	Thursday
5	Friday
6	Saturday
7	Sunday
8	Monday to Friday
9	Weekend

- **StartTime and EndTime:** Be consists of 4 digits (hh:mm) and works on a 24 hour clock. For example: 0000 means time 00:00(hh:mm), 2359 means time 23:59(hh:mm). the EndTime can be earlier than StartTime, it will set as end of next day.
- **IntervalTime:** This consists of 2 or 3 digits and has values in the range of “5” to “480” minutes.

For example: #43#0#0#2100#0800#10# The camera will reply SMS following:

Schedule capture images function: OFF

Receive mode: Email

Everyday

Time: 21:00-08:00

Interval: 10 minutes.

Activate schedule send images: #06#1# (27)

Master sending this command to activate Schedule sending images functions.

Deactivate schedule send images: #06#0# (28)

4.3 Arming or disarming SimPal camera

4.3.1 Arming SimPal camera

- I When user arm the SimPal camera, the built-in infrared body detector (PIR) will start working and detecting body heat. SimPal camera will automatically send alarm message or making a phone call once it be triggered.
- I SimPal camera has 30 seconds alarm-suspension period after it be armed. The user can leave the camera place during this time to avoid misalarm.

Method 1:

The user sends following SMS message in order to:

Arming SimPal camera manually: #01# (29)

Method 2:

Master or User number calling the camera number, hand up before it answer the calling. By this method, camera will switch from Arm and Disarm mode.

wireless smoke detector etc. can be set as an alarm sensor of the camera. Up to 15pcs wireless sensors and wireless panic buttons can be pair with SimPal camera.

There are two types wireless sensor for camera:

Alarm sensor: sensor only alarm when the camera in arm mode, normally, door sensor, infrared sensors work as alarm sensor.

Emergency sensor: sensor will always alarm once the sensor triggered even the camera disarm, normally smoke detector, gas detector, panic button work as emergency sensor.

4.7.1 Pair wireless sensor

1. Power on the wireless sensor.
2. **Master** sends following SMS message to make SimPal camera enter loading mode:

Pairing Alarm sensor: #08#1#Sensor-name# (37)

Pairing Emergency sensor: #08#2#Sensor-name# (38)

- I **Sensor-name** is used for identify different sensors affiliated with each camera. It can be numbers and letters.
 - I **Sensor alarm default only sending SMS or calling, to make sensor alarm with images, the sensor name should be start with *, such as #08#2#*door#.**
 - I Up to 9 characters can be included in the **Sensor-name**.
 - I Sensor alarm way will be same as built-in PIR motion sensor setting.
3. When SimPal camera received the SMS command, it will emit a BEEP tone and the indicator will flash red and green alternately. SimPal camera will then send a notification SMS to request trigger wireless sensor.
 4. Make the sensor work and transmit signal to be studied by SimPal camera.
 5. When SimPal camera receives the sensor signal, it will emit a Beep tone and send a notification message via SMS: *** sensor paired successfully.

4.7.2 Check sensor status

Master sends following SMS message to SimPal camera:

Check paired sensors: #08# (39)

Camera will reply SMS and list all sensors which already paired with this camera.

4.7.3 Removing sensor

Master sends following SMS message to SimPal camera:

4.16 LED status indicator

LED status indicator will display in different ways to show the working status. It can be turns off to make SimPal camera private and avoid to be found easily.

Master sends following SMS message in order to:

Turn off LED status indicator: #31#0# (61)

Turn on LED status indicator (Default): #31#1# (62)

4.17 Night vision LED lights

There are 10pcs LED light help lighting when capture images in dark environment.

Master sending following SMS to set

Night vision LED lighting: #20#mode# (63)

Mode represent LED working mode, There are three mode of LED lighting:

1 means "Auto mode", LED will auto turn on when camera detect dark environment.

2 means "Constantly ON", LED will always lighting when camera make photo shooting.

0 means "OFF". LED will always OFF

4.18 Mains power failure alert

The Master sending following SMS to set

Activate SMS alert at power failure (default): #35#1# (64)

Deactivate SMS alert at power failure: #35#0# (65)

4.19 Unknown SMS forward

The camera default sending unknown SMS to Master number, Master can receive SMS about the camera SIM card credit change from operator.

Activate unknown SMS forward (default): #50#1# (66)

Deactivate unknown SMS forward: #50#0# (67)

Reset MMS, data and e-mail settings: #49#password#

(72)

Chapter 5 General troubleshooting

No.	General Trouble	Possible Reason	Solution
1	Can't start camera (Indicator is working)	Other master is already set in the camera.	Reset to factory default setting.
2	All functions disable (Indicator is working)	Caller ID presentation or MMS, Cellular data functions of the SIM card do not active, insufficient fee of the SIM card.	Contact network provider to active SIM card function. Pay for the card.
3	Indicator constant light in red color.	Can't find or identify the SIM card.	SIM card no install properly: Power off the camera and check it again.
4	Camera didn't response of any operation.	SimPal camera work abnormally.	Switch off the power, check SIM card, or reset factory setting.
5	After starting the camera, indicator flashed in red color and can not turn to green.	Network signal weak or network busy.	Place the camera at other place with strong signal and try again.
		SIM card PIN code actives.	Close the PIN code.
		SIM card invalid.	Contact with local operator to check of it.
6	Remote control can't work. Or action slowly. Or control distance range shortened.	Camera low power.	Connect external power to recharge the battery.
		Remote control low power.	Change remote control battery.
		Two remote controls work simultaneously.	Try only one remote control.
7	Can't add new remote control or wireless sensor	The remote control or sensor already studies successfully.	Exit the loading status.
		The sensor quantity is already reaches its max number.	Delete old sensors before add new sensor.
		Didn't set master user number	Set master number before add sensor.
8	Can't start the camera after long time supply with the battery.	Battery runs out of power.	Connect the camera to external AC power and charge for at least one hour, then, restart camera.

Note: If the problem can't be solved with above guidelines, contact to your local distributor or after service center.

Chapter 6 Main technical parameters

Power adaptor	Input: 100V~240V/50Hz Output: 12V 1A DC
Operating temperature	-10℃~+45℃
Store temperature	-20℃~+60℃
Relative humidity	10-90%, without condensation
Working band	GSM 850/900/1800/1900MHZ WCDMA /HSUPA 2100MHz (850/1900 Mhz Optional)
Wireless sensor receiving band	433MHz
Max. wireless sensors	15 units
Remote control receiving band	433MHz
Effective distant of the remote control	20 meters (wide area)
Image format	JPEG
Image resolution	320×240, 800×480, 1280×768
Camera pixel	5.0 Megal pixel
Camera Shooting angel	68 degree
Best shooting distance at night	≤5meters
Detect distance of build-in PIR sensor	≤5 meters
Listen in distance	≤5meters
Lithium battery (Inner)	1200mAh
Battery standby time	12 hours (Affected by network)

Appendix: SMS commands list

Category	Function	Command	Authori zation
Define the user	Register camera	(1) <u>#00#</u>	Master
	Change Master number	(2) <u>#14#NewMasterNumber#</u>	Master
	Adjust camera time	(3) <u>#000#</u>	
	Change password	(4) <u>#18#oldpassword#newpassword#</u>	Master
	Add User number	(5) <u>#07#User-number#</u>	Master
	Add User e-mail	(6) <u>#07#E-mail#</u>	
	Delete User number	(7) <u>#27#User=number#</u>	Master
	Delete all User number and e-mail	(8) <u>#27#</u>	Master
Network parameter settings	Manual select MMS and data settings	(9) <u>#54#</u>	Master
	Select certain network setting	(10) <u>#54#MCC+MNC#</u>	Master

SimPal-G4 3G Security Camera User Manual

Category	Function	Command	Authorization
	Manual set MMS parameters	(11) <u>#25#MMScenter#ProxyIP#ProxyPort#ProxyPort2#APN#Username#Password#mms#</u>	Master
	Check MMS parameters	(12) <u>#25#</u>	Master
	Set Cellular data parameters	(13) <u>#24#APN#Username#Password#MCC#MNC#proxy#port#default#</u>	Master
WIFI Settings	Turn ON WIFI network	(14) <u>#38#1#</u>	Master
	Set-up WIFI account	(15) <u>#38#SSID#Password#</u>	Master
	Check WIFI Status	(16) <u>#38#</u>	Master
	Turn OFF WIFI Network	(17) <u>#38#0#</u>	Master
Email settings	Set outbound e-mail parameters	(18) <u>#26#email#password#STMP#SMTPport#SSL#tls#</u>	Master
	Check e-mail parameters	(19) <u>#26#</u>	Master
	Set receipt e-mail account	(20) <u>#09#email#</u>	Master
	Delete receipt e-mail account	(21) <u>#09#</u>	Master
Capturing images	Request image by MMS	(22) <u>#03#</u>	Master User
	Send MMS image to other phone number	(23) <u>#03#number#</u>	Master User
	Request image via e-mail	(24) <u>#05#</u>	Master
	Send image e-mail to other e-mail address	(25) <u>#05#Email#</u>	Master User
Schedule send images	Set calendar send images	(26) <u>#43#Mode#WorkDay#StartTime#EndTime#IntervalTime#</u>	Master
	Activate calendar image function	(27) <u>#06#1#</u>	Master
	Deactivate calendar images function	(28) <u>#06#0#</u>	Master
Arming or disarming SimPal camera	Arm camera	(29) <u>#01#</u>	Master User
	Disarm camera	(30) <u>#02#</u>	Master User
	Activate calendar arm camera	(31) <u>#04#1#</u>	Master
	Set calendar arm camera parameters	(32) <u>#41#WorkDay#StartTime#EndTime#</u>	Master
	Deactivate calendar arm camera	(33) <u>#04#0#</u>	Master
Remote	Un-pair remote control	(34) <u>#29#</u>	Master

SimPal-G4 3G Security Camera User Manual

Category	Function	Command	Authori zation
control			
Infrared body detector	Activate PIR motion detection (default)	(35) <u>#17#1#</u>	Master
	Deactivate PIR motion detection	(36) <u>#17#0#</u>	Master
Wireless sensor	Pairing alarm sensor	(37) <u>#08#1#sensor#</u>	Master
	Pairing emergency sensor	(38) <u>#08#2#sensor#</u>	Master
	Check paired sensor	(39) <u>#08#</u>	Master
	Un-pairing wireless sensor	(40) <u>#28#sensor#</u>	Master
	Un-pairing all sensors	(41) <u>#28#</u>	Master
	Check temperature reading	(42) <u>#15#</u>	Master User
	Activate temperature monitoring	(43) <u>#15#1#</u>	Master
	Set limits of temperature	(44) <u>#16#MinTemp#MaxTemp#</u>	Master
	Deactivate temperature monitoring	(45) <u>#15#0#</u>	Master
Image	Image resolution	(46) <u>#22#value#</u>	Master
	Image quantity	(47) <u>#21#quantity#</u>	Master
Alarm settings	Activate beeper alert	(48) <u>#30#1#</u>	Master
	Deactivate beeper alert (default)	(49) <u>#30#0#</u>	Master
	Deactivate SMS alert	(50) <u>#11#0#</u>	Master
	Activate SMS alert (default)	(51) <u>#11#1#</u>	Master
	Activate MMS alert (default)	(52) <u>#12#1#</u>	Master
	Activate e-mail alert	(53) <u>#12#2#</u>	Master
	Deactivate image alert	(54) <u>#12#0#</u>	Master
Calling alarm setting	Deactivate voice call alert (default)	(55) <u>#13#0#</u>	Master
	Activate voice call alert	(56) <u>#13#1#</u>	Master
User alert function setting	Deactivate SMS alert to Users (default)	(57) <u>#32#0#</u>	Master
	Activate SMS alert to Users	(58) <u>#32#1#</u>	Master
	Activate images alert to Users	(59) <u>#33#1#</u>	Master
	Deactivate images alert to Users (default)	(60) <u>#33#0#</u>	Master
Indicator light	Deactivate LED status indicator	(61) <u>#31#0#</u>	Master
	Activate LED status indicator (default)	(62) <u>#31#1#</u>	Master

SimPal-G4 3G Security Camera User Manual

Category	Function	Command	Authorization
Night vision LED setting	Set night vision LED lighting mode	(63) <u>#20#mode#</u>	Master
Mains power failure alert	Activate SMS alert at power failure (default)	(64) <u>#35#1#</u>	Master
	Deactivate SMS alert at power failure	(65) <u>#35#0#</u>	Master
Unknown SMS forwarding	Activate unknown SMS forward (default)	(66) <u>#50#1#</u>	Master
	Deactivate unknown SMS forward	(67) <u>#50#0#</u>	Master
Check status	Check status	(68) <u>#10#</u>	Master
	Check firmware version, IMEI and network signal	(69) <u>#40#</u>	Master
Reboot	Reboot camera	(70) <u>#42#password#</u>	Master
Reset factory setting	Reset factory settings	(71) <u>#19#password#</u>	Master
	Reset MMS, data and e-mail settings	(72) <u>#49#password#</u>	Master